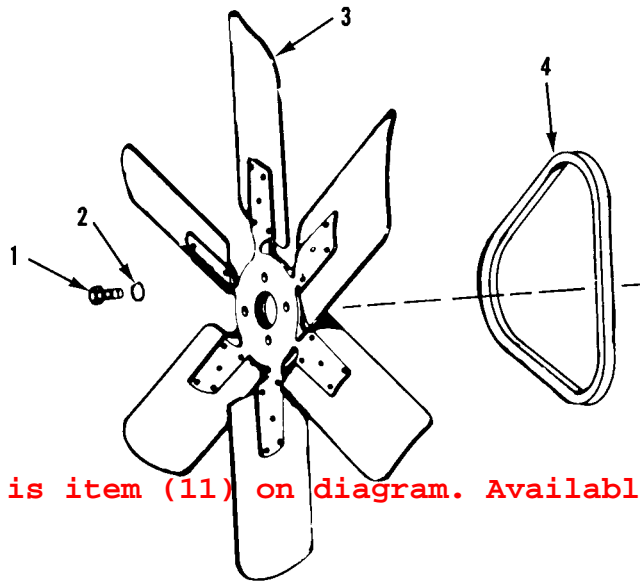


Current part is item (11) on diagram. Available at www.oshkoshequipment.com

(1) SMR Code	(2) Federal Stock Number	DESCRIPTION	UNIT of meas	Qty inc. in Unit	30-day DS maint allowance			30-day GS maint allowance			1-yr aw per 100 equip cnt- gcy	Depot maint aw per 100 equip	Illustration	
					(a) 1-20	(b) 21-50	(c) 51-100	(a) 1-20	(b) 21-50	(c) 51-100			(a) Figure No.	(b) Item No.
		Reference Number & Mfr. Code												
PAOZZ	5310-143-6488	WASHER, KEY: ADJUSTING STRAP MTG 10871194 (19207)	EA	1	*	*	*	*	*	*	*	*	30	2
PAOZZ	5310-959-4675	WASHER, LOCK: ADJUSTING STRAP MTG MS35340-46 (96906)	EA	2	*	*	*	*	*	*	*	*	30	3
PAOFF	2920-293-4380	GENERATOR, ENGINE ACCESSORY (OPTIONAL W/GENERATOR 2920-903-9534) (REFER TO TM9 2920-214-35 FOR REPAIR PARTS) 7355736 (19207)	EA	1	*	*	*	*	*	*	*	*	30	4
PAOFF	2920-903-9534	GENERATOR, ENGINE ACCESSORY: (OPTIONAL W/GENERATOR, 2920-293-4380) (REFER TO TM9-2920-247-34 FOR REPAIR PARTS) 10950808 (19207)	EA	1	*	*	*	*	*	*	*	*	30	4
PAOZZ	5305-050-1076	SCREW, CAP, HEXAGON HEAD: BRACKET MTG TO CRANKCASE MS90725-89 (96906)	EA	3	*	*	*	*	*	*	*	*	30	5
PAOZZ	5310-080-9785	WASHER, LOCK: BRACKET MTG TO CRANKCASE MS56904-80 (96906)	EA	3	*	*	*	*	*	*	*	*	30	6
PAOZZ	2920-247-0000	BRACKET: GENERATOR MTG 10889930 (19207)	EA	1	*	*	*	*	*	*	*	*	30	7
PAOZZ	5315-616-5526	KEY, WOODRUFF: PULLEY MTG MS35756-8 (96906)	EA	1	*	*	*	*	*	*	*	*	30	8
PAOZZ	6150-112-0236	LEAD, ELECTRICAL: GROUND 11610016 (19207)	EA	1	*	*	*	*	*	*	*	*	30	9
PAOZZ	5310-167-0721	WASHER, LOCK: GROUND LEAD MTG TO WATER PUMP MS35333-41 (96906)	EA	1	*	*	*	*	*	*	*	*	30	10
PAOZZ	5340-490-4134	STRAP, RETAINING: GENERATOR ADJUSTING 10898717 (19207)	EA	1	*	*	*	*	*	*	*	*	30	11
PAOZZ	5310-732-0558	NUT, PLAIN, HEXAGON: ADJUSTING STRAP MTG MS51967-8 (96906)	EA	1	*	*	*	*	*	*	*	*	30	12
PAOZZ	5310-193-7574	WASHER, LOCK: GROUND MTG TO GENERATOR 373-107-0000 (13499)	EA	1	*	*	*	*	*	*	*	*	30	13
PAOZZ	2920-848-8405	PULLEY, GROOVE: GENERATOR 10889929 (19207)	EA	1	*	*	*	*	*	*	*	*	30	14
PAOZZ	5310-809-5998	WASHER, FLAT: PULLEY MTG TO SHAFT MS27183-18 (96906)	EA	1	*	*	*	*	*	*	*	*	30	15
PAOZZ	5310-902-9369	NUT, SELF-LOCKING, HEXAGON: PULLEY MTG TO SHAFT MS21083N8 (96906)	EA	1	*	*	*	*	*	*	*	*	30	16
PAOZZ	5315-939-0832	PIN, COTTER: GENERATOR MTG BOLT MS9245-46 (96906)	EA	2	*	*	*	*	*	*	*	*	30	17
PAOZZ	5310-167-1288	NUT, PLAIN, CASTELLATED: GENERATOR MTG TO BRACKET AN310-7 (88044)	EA	2	*	*	*	*	*	*	*	*	30	18
PAOZZ	5310-184-8973	WASHER, FLAT: GENERATOR MTG TO BRACKET MS9320-13 (96906)	EA	4	*	*	*	*	*	*	*	*	30	19
PAOZZ	5306-143-3299	BOLT, MACHINE: GENERATOR MTG TO BRACKET AN102320 (88044)	EA	2	*	*	*	*	*	*	*	*	30	20
PAOZZ	2920-119-0859	SHIM SET: GENERATOR MTG TO BRACKET 5702744 (19207)	EA	1	*	*	*	*	*	*	*	*	30	21



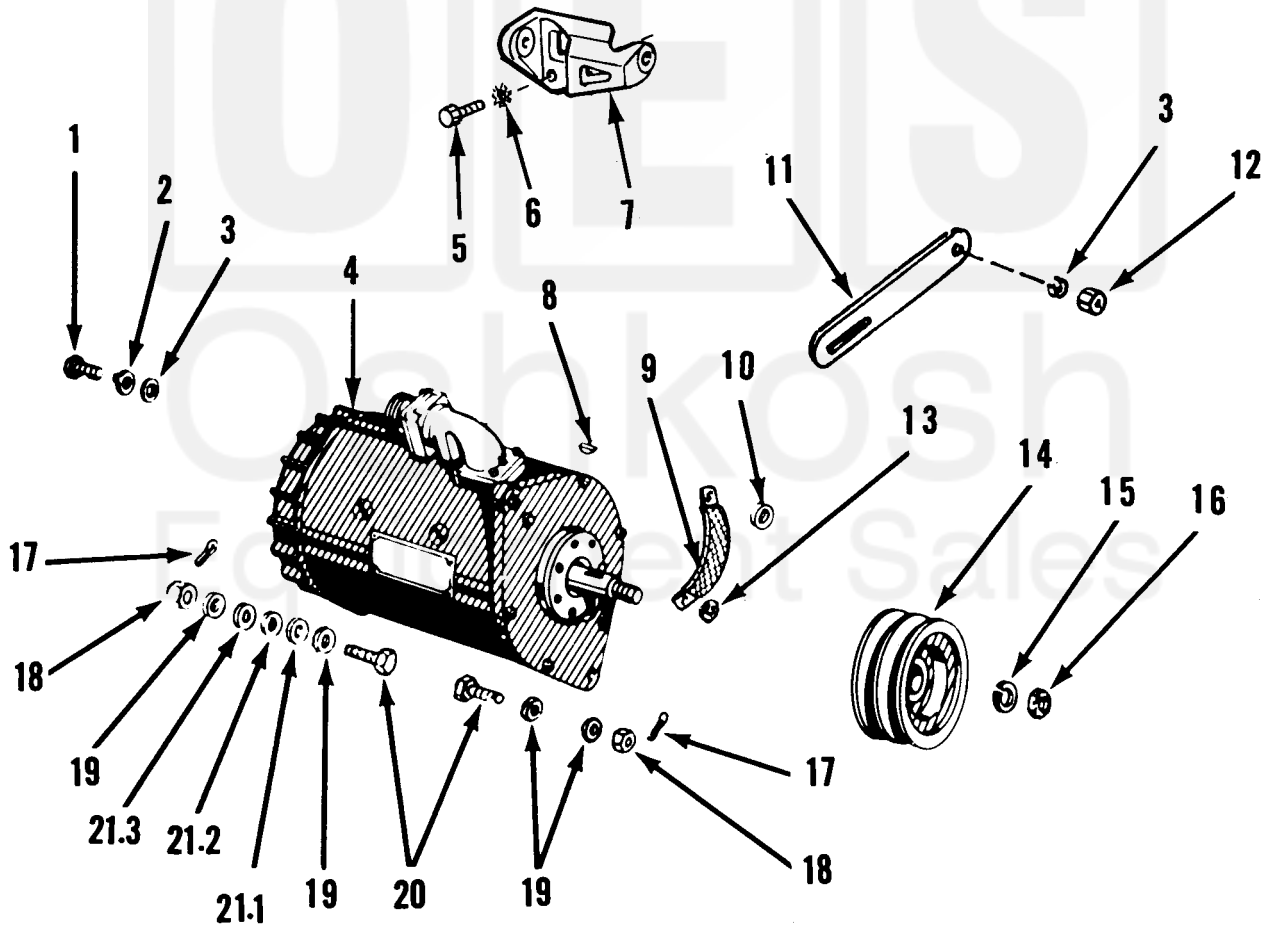
Current part is item (11) on diagram. Available at www.oshkoshequipment.com



Current part is item (11) on diagram. Available at www.oshkoshequip.com

TA010736

Figure 29. Engine Cooling Fan and Belt.



TA010737

Figure 30. Generator and Associated Parts.

Current part is item (11) on diagram. Available at www.oshkoshequip.com